



THE COMMITTEE TO PRESERVE THE UPPER WEST SIDE

**Testimony of LANDMARK WEST!
Certificate of Appropriateness Committee
Before the Landmarks Preservation Commission
123 West 69th Street
October 6, 2009**

LANDMARK WEST! is a not-for-profit community organization committed to the preservation of the architectural heritage of the Upper West Side.

The Certificate of Appropriateness Committee wishes to comment on the application to install a stoop railing at 123 West 69th Street, designed by Thom & Wilson and built in 1882.

----- NOTES -----

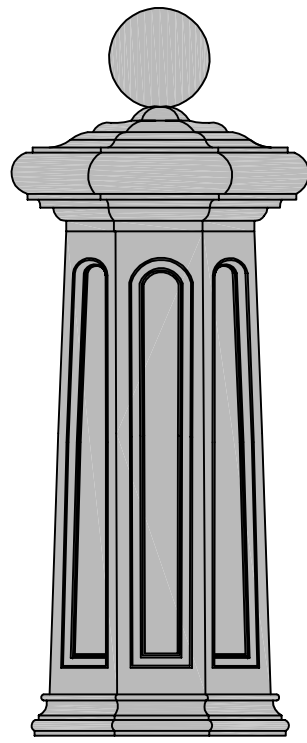
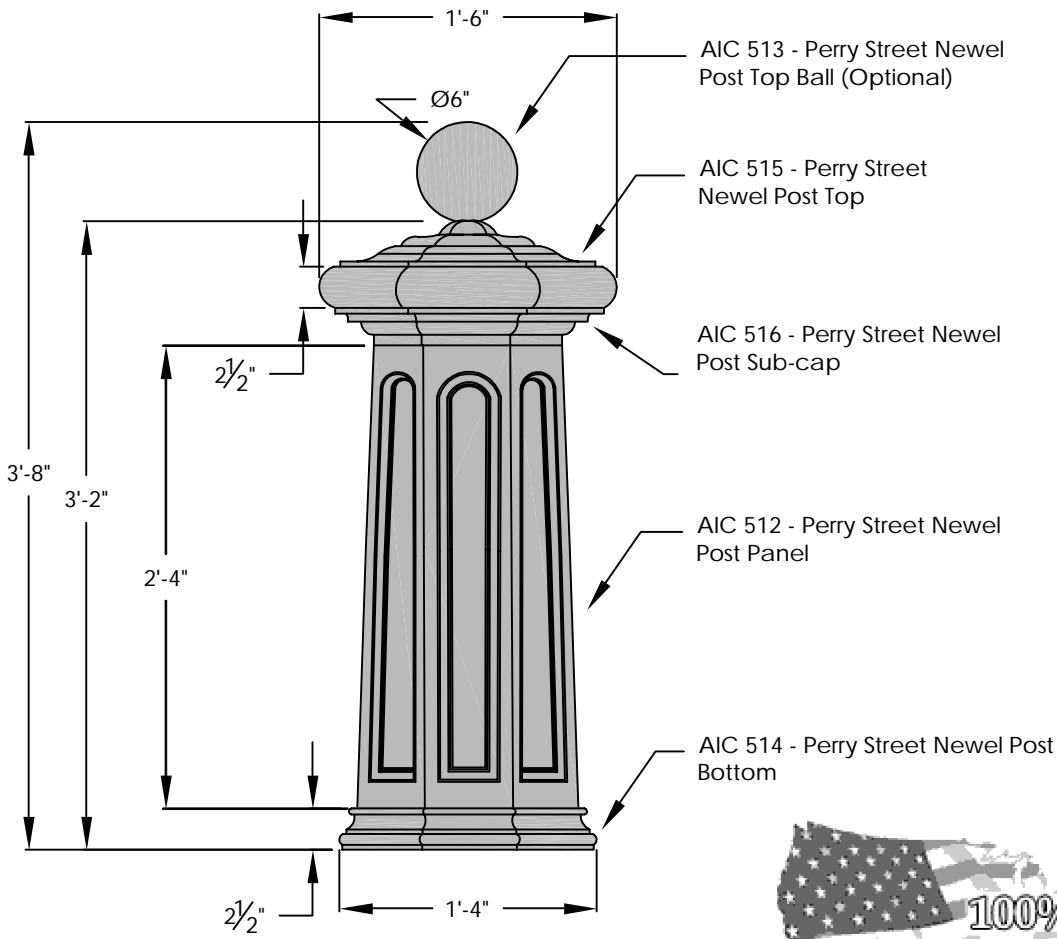
It's great for us to hear that the homeowner is working with Jack Pontes—he's one of the best! LW! honored Jack a few years back as an "Unsung Hero of the Upper West Side" for restorative work elsewhere. Incidentally, also a stoop project! It was a great example of his one project being the catalyst that set off a chain reaction and inspired others rowhouse owners and residents on the block to do the right thing and restore their stoops in ways that were more historically accurate. If allowed to do what he feels is right, things could be great, but the homeowner is directing him to follow designs of her own.

It was great to see that the homeowner took the initiative to procure the tax photo for not only her building but an adjacent building as well. So few applicants to the LPC (homeowners, contractors, etc.) go through the trouble! However, the applicant isn't really using them to their full value, proposing a personalized design for the newel post, for example. The homeowner explained that the updated newel post seeks to harmonize what one sees in the tax photo with what is present elsewhere on the street.

The new balustrades and newel posts will be constructed with a cement foundation and finished to resemble brownstone (don't know the exact name of the product, sorry). Jack's work is always of the highest quality and we're confident that the final look will be wholly appropriate. As for dimensions, the following two pages from the website of Architectural Iron, Inc. is what the homeowner is basing her personalized designs on. That is to say they are representative of what was presented to us, but not exact.

LW! staff met with the homeowner again today (Thursday) at the site, along with Jack Pontes, and after offering to do more historic research asked if they would request a postponement at the Commission. They said they could not due to their construction schedule.

Related Castings:
 AIC 501 - AIC 511,
 AIC 660, AIC 661



Elevation View



Shown with optional AIC 513 - Newel Post Top Ball

Rev. 1-12-09

THIS DRAWING IS NOT DRAWN TO SCALE
 Copyright 2004, 2007-2009 Architectural Iron Company, Inc. All rights reserved.

THIS DRAWING IS AN INSTRUMENT OF PROFESSIONAL SERVICE AND SHALL REMAIN THE PROPERTY OF ARCHITECTURAL IRON COMPANY WHETHER THE PROJECT FOR WHICH IT IS PREPARED IS EXECUTED OR NOT. NO CHANGES, ALTERATIONS, ADDITIONS, OR DELETIONS MAY BE MADE EXCEPT BY ARCHITECTURAL IRON COMPANY. THIS DRAWING SHALL NOT BE REPRODUCED BY ANYONE ON OTHER PROJECTS, FOR ADDITIONS TO THIS PROJECT, OR FOR COMPLETION OF THIS PROJECT BY OTHERS WITHOUT WRITTEN CONSENT.

This drawing is available in AutoCad format.

Material used is cast iron unless otherwise specified.

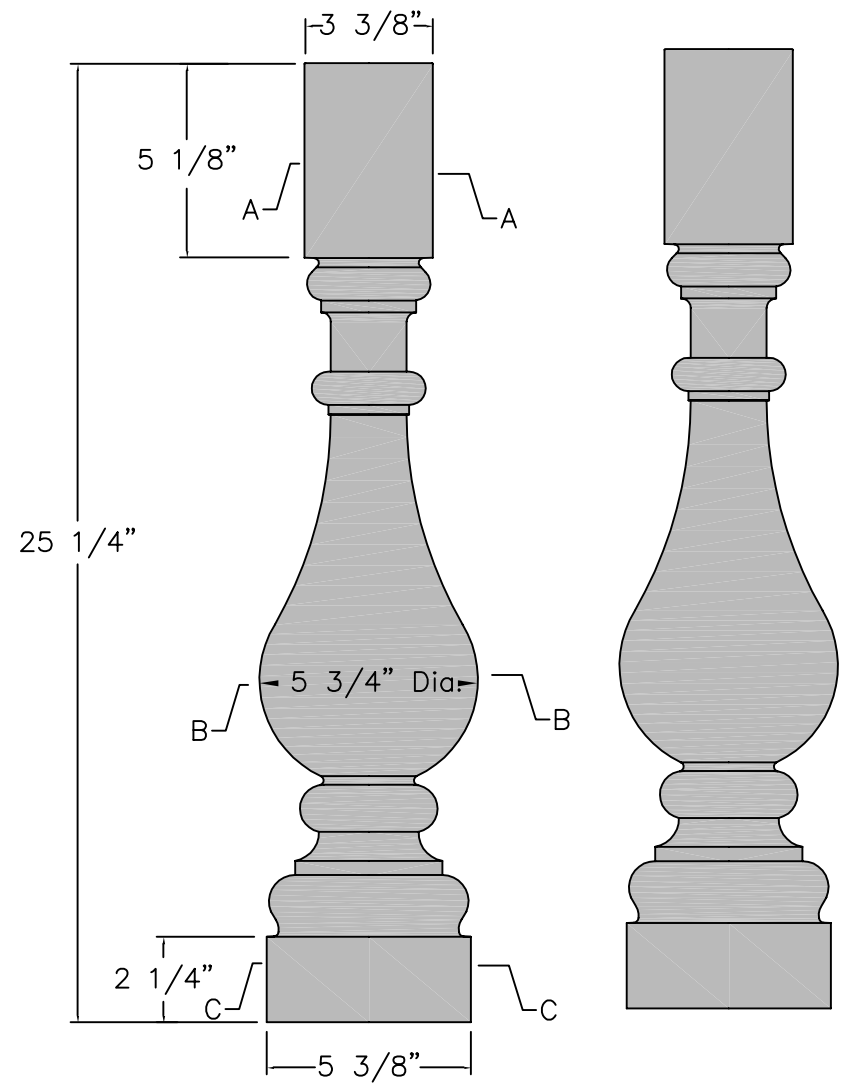
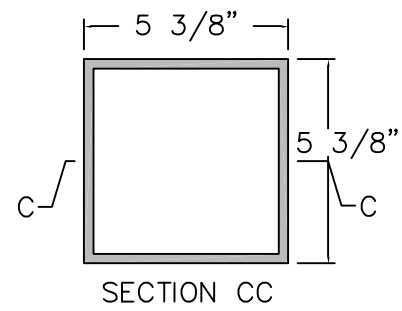
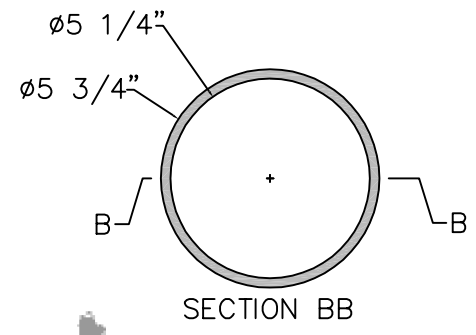
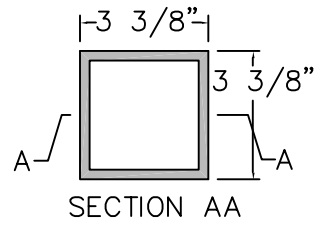
Due to the casting process actual measurements may vary slightly.

AIC
Architectural Iron Company
 104 Ironwood Court / P.O. Box 126
 Milford, PA 18337

800-442-IRON/4766
 www.architecturaliron.com
 Fax: 570-296-IRON /4766
 E-mail: info@architecturaliron.com

Perry Street Newel Post

<u>Drawing No.</u> AIC 512++	<u>Drafted By:</u> M. Antonello	<u>Checked By:</u> D.Q.	<u>Date:</u> 03/18/04	<u>Part Number</u> AIC 512++
---------------------------------	------------------------------------	----------------------------	--------------------------	---------------------------------



Similar Components:
AIC-113, AIC-511, AIC-600, AIC-888

Weight: 25 lbs

Rev. 1-9-09


THIS DRAWING IS NOT DRAWN TO SCALE
Copyright 2003, 2007-2009 Architectural Iron Company, Inc. All rights reserved.

THIS DRAWING IS AN INSTRUMENT OF PROFESSIONAL SERVICE AND SHALL REMAIN THE PROPERTY OF ARCHITECTURAL IRON COMPANY WHETHER THE PROJECT FOR WHICH IT IS PREPARED IS EXECUTED OR NOT. NO CHANGES, ALTERATIONS, ADDITIONS, OR DELETIONS MAY BE MADE EXCEPT BY ARCHITECTURAL IRON COMPANY. THIS DRAWING SHALL NOT BE REPRODUCED BY ANYONE ON OTHER PROJECTS, FOR ADDITIONS TO THIS PROJECT, OR FOR COMPLETION OF THIS PROJECT BY OTHERS WITHOUT WRITTEN CONSENT.

This drawing is available in AutoCad format.

Material used is cast iron unless otherwise specified.

Due to the casting process actual measurements may vary slightly.



800-442-IRON/4766
www.architecturaliron.com

Architectural Iron Company
104 Ironwood Court / P.O. Box 126
Milford, PA 18337
Fax: 570-296-IRON/4766
E-mail: info@architecturaliron.com

PARK SLOPE BALUSTER				
Drawing No.	Drafted By:	Checked By:	Date:	Part Number
AIC-496	J. W./M.A.	D.Q.	11/14/03	AIC-496