



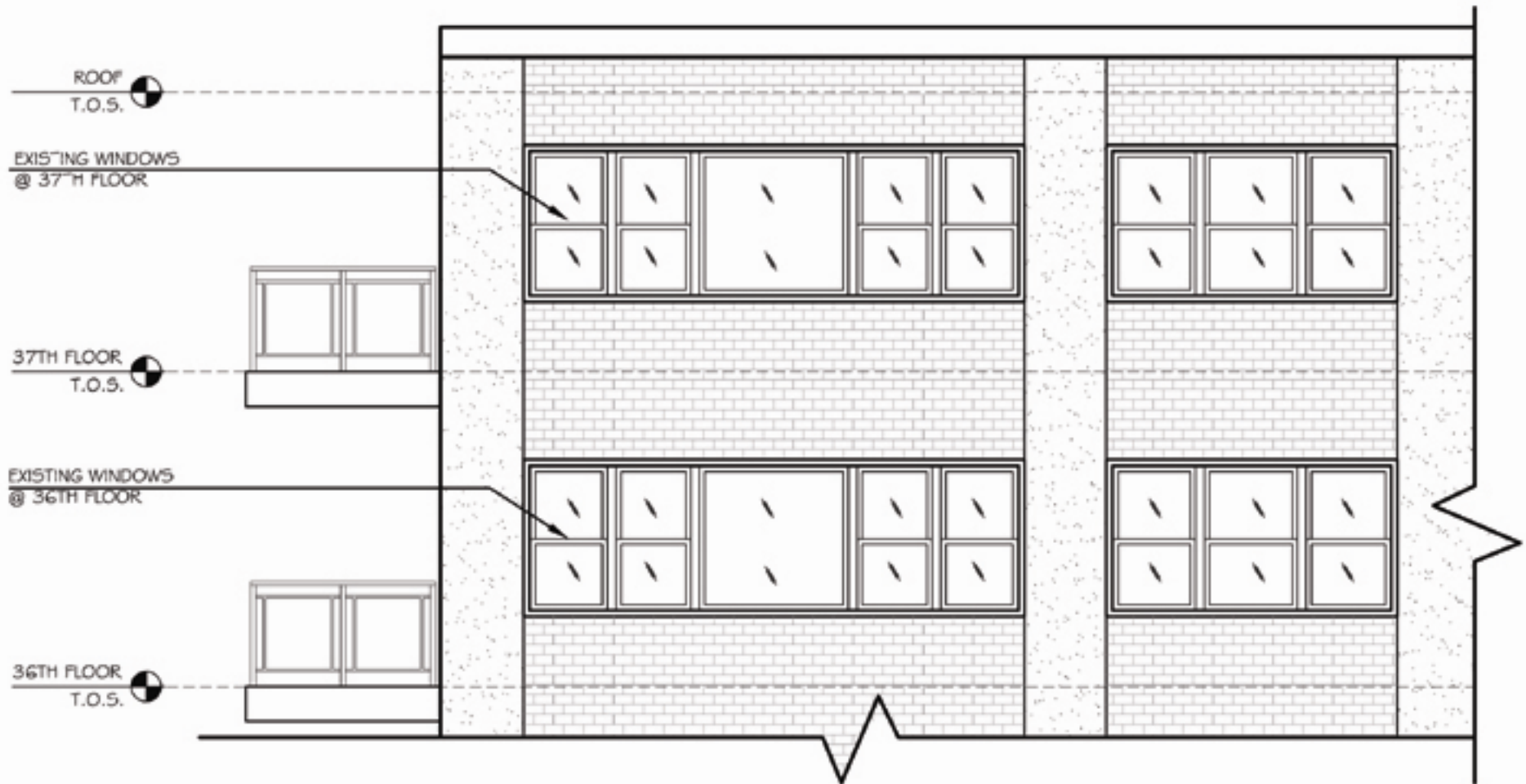
15 West 72nd Street
Window replacement

Existing Conditions
73rd Street façade

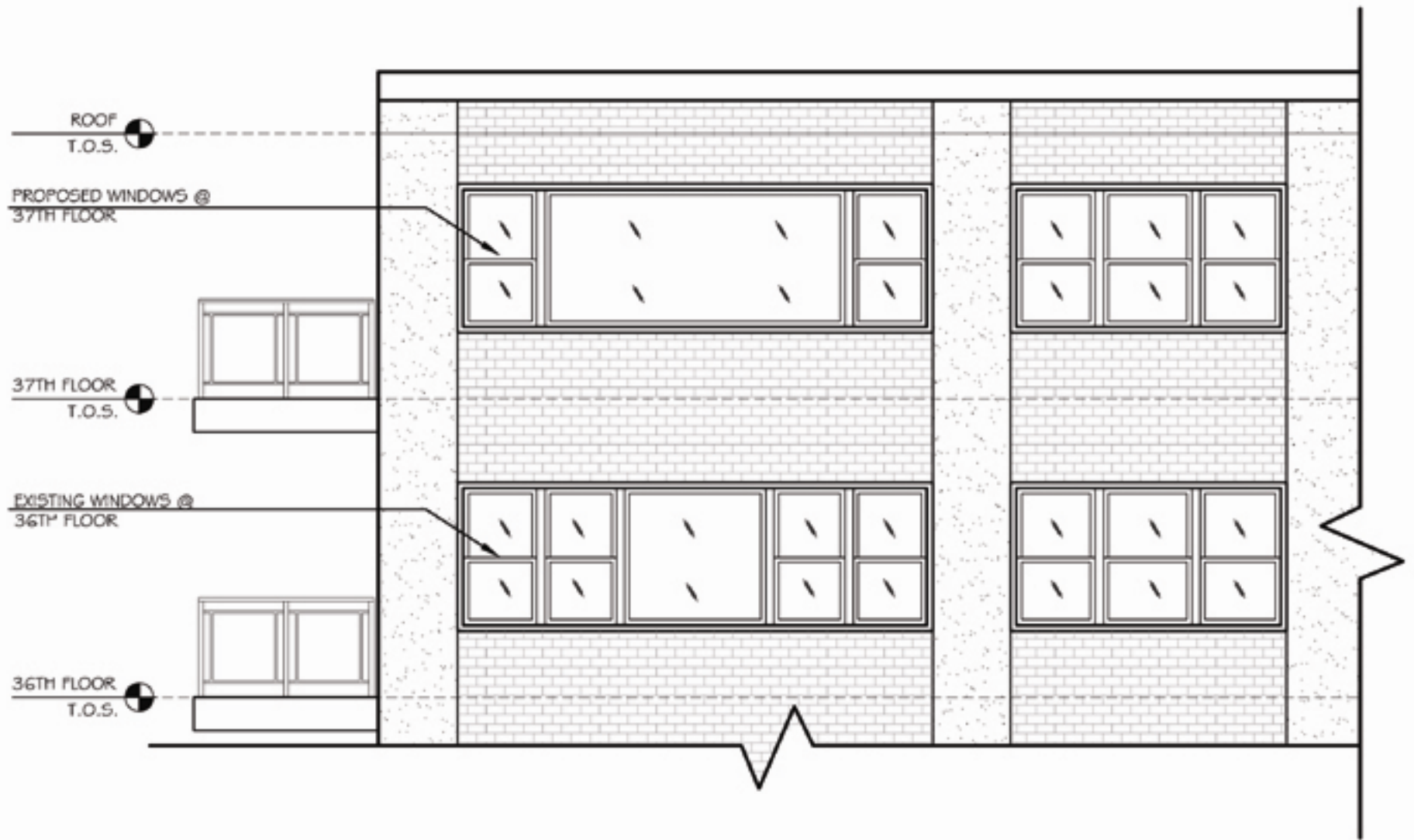


Existing Conditions
73rd Street façade

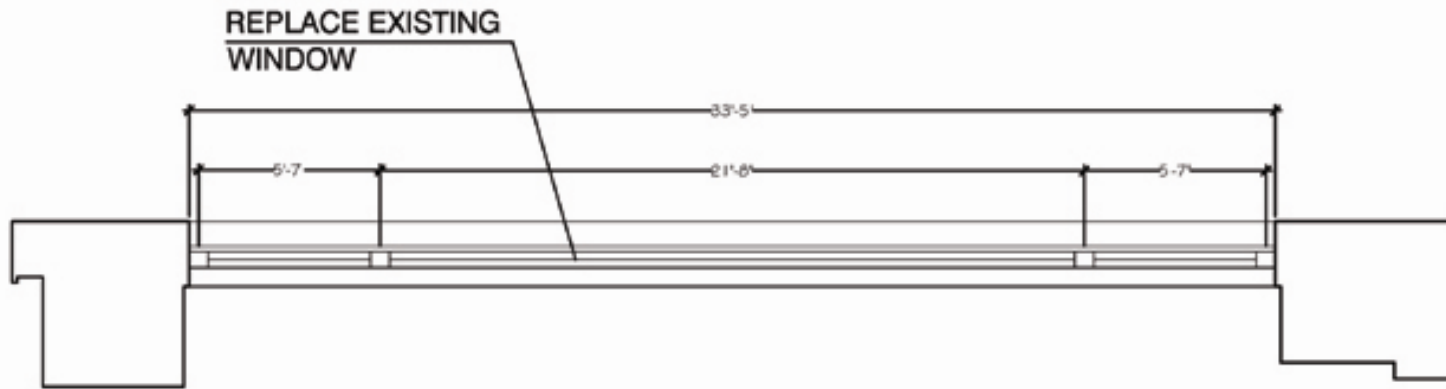




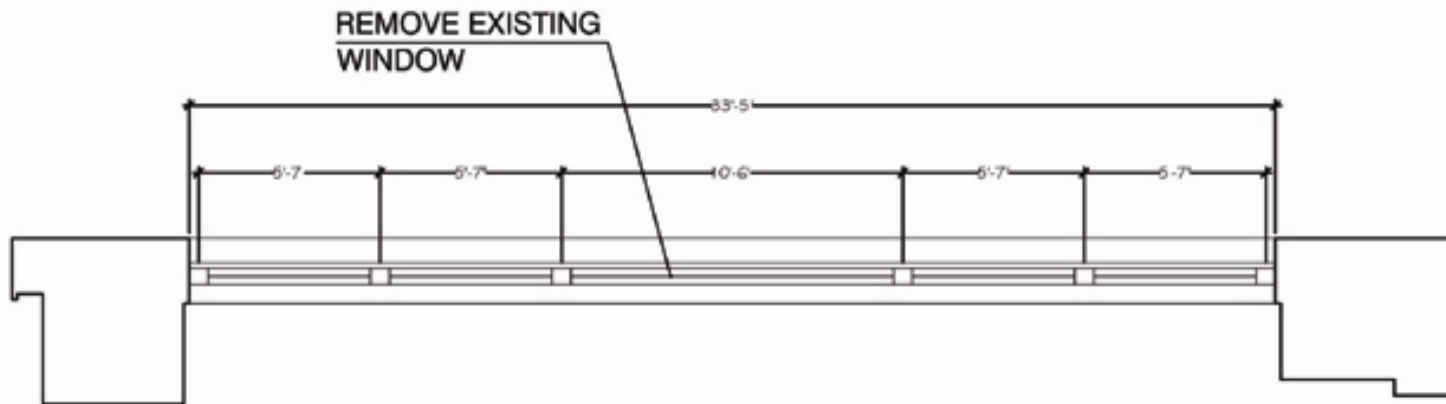
Existing Elevation



Proposed Elevation



PROPOSED WINDOW PLAN



EXISTING WINDOW PLAN

Existing and Proposed Conditions