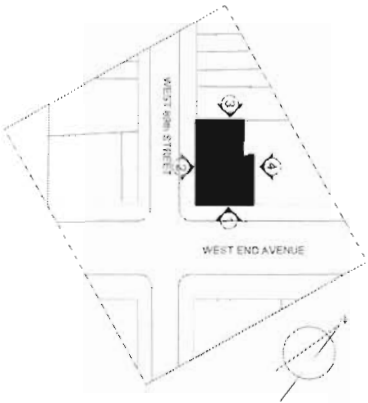


2 SOUTH FACADE
West End Avenue

1 FRONT FACADE (East)
West End Avenue



KEY PLAN
NOT TO SCALE

- LEGEND: A, B, C, D, E
- A. TYPE "A" REPLACEMENT Single Window, 1 over 1
 - B. TYPE "B" REPLACEMENT Double Window, 1 over 1
 - C. TYPE "C" Steel window, Single, 2 OVER 2
 - D. TYPE "D" Steel window, Double, 1 OVER 1
 - E. TYPE "E" REPLACEMENT Single Window, 1 over 1

JOB LOCATION & DRAWING TITLE:

MASTER PLAN

Primary Facades

REVISIONS
1 07.25.08
2
3
4
5

DRAWING BY: GP

APPROVED:

EV

SCALE: As noted

DATE: 10.08.07

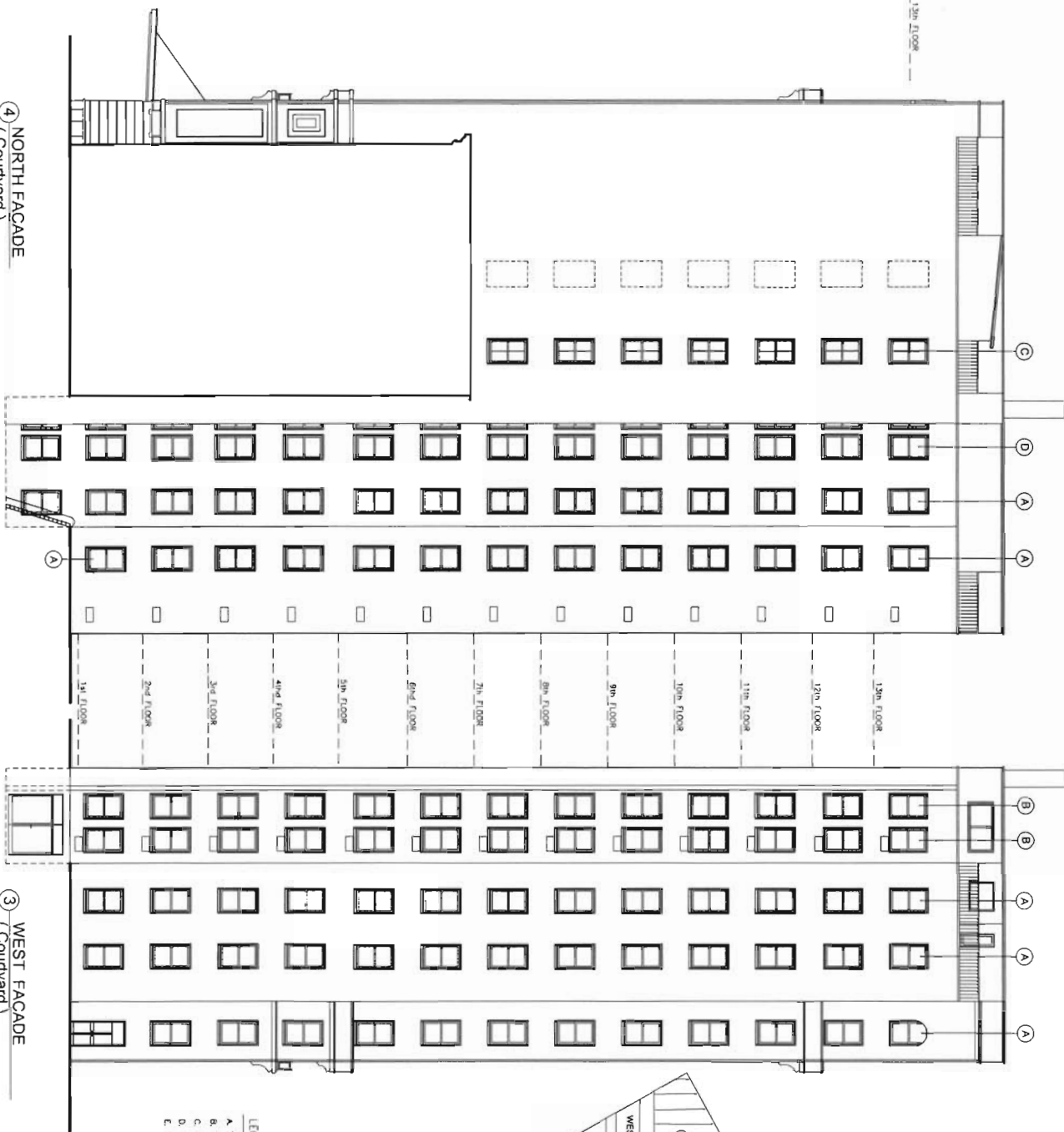
SHEET NO:

Primary Facades
100

PANORAMA WINDOWS LTD.
767 EAST 132nd STREET
BRONX, NY 10454

④ NORTH FACADE
(Courtyard)

③ WEST FACADE
(Courtyard)



- LEGEND: (A)(B)(C)(D)(E)
- A. TYPE "A" REPLACEMENT Single WINDOW, 1 OVER 1
 - B. TYPE "B" REPLACEMENT Double WINDOW, 1 OVER 1
 - C. TYPE "C" Steel window, Single, 2 OVER 2
 - D. TYPE "D" Steel window, Double, 1 OVER 1
 - E. TYPE "E" Casement Single WINDOW.

KEY PLAN
NOT TO SCALE

JOB LOCATION & DRAWING TITLE:

MASTER PLAN

Primary Facades

601 West End Avenue
New York, NY



PANORAMA WINDOWS
LTD.
767 EAST 132nd STREET
BRONX, NY 10454

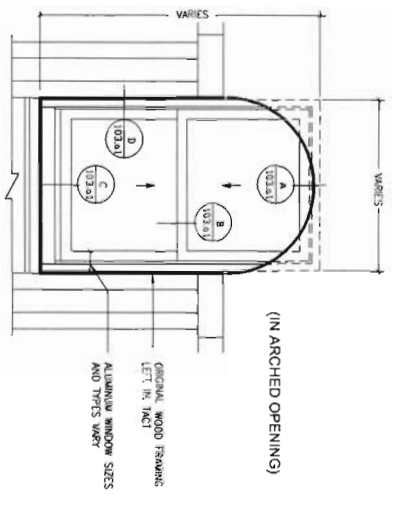
© panorama windows, ltd.

REVISIONS	DATE	BY	APPROVED	DRAWING BY
1				GP
2				
3				
4				
5				

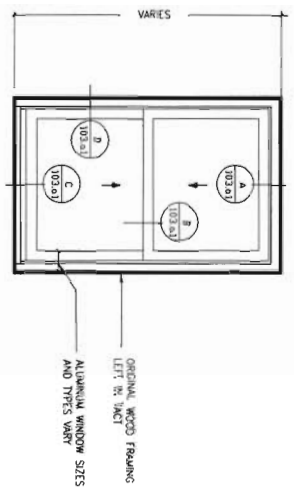
SCALE: As noted

DATE: 10.08.07

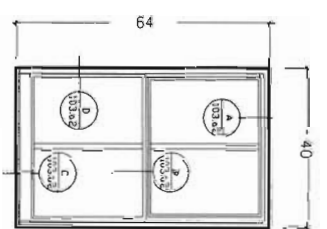
SHEET NO: Secondary Facades 101



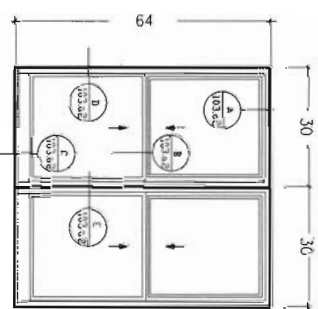
(IN ARCHED OPENING)
(IN RECTANGULAR OPENING)



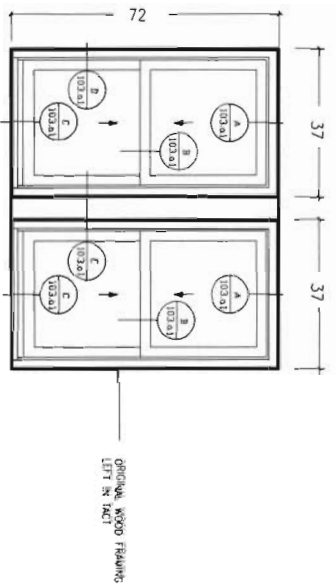
1 EXISTING ALUMINUM DOUBLE HUNG WINDOW (Single)
TYPE "A"



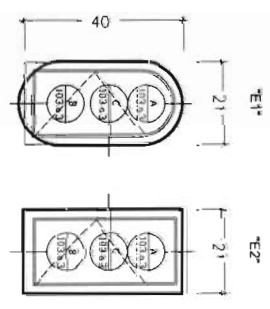
3 EXISTING STEEL Double Hung WINDOW (Single)
TYPE "C"



4 EXISTING STEEL Double Hung WINDOW (Double)
TYPE "D"



2 EXISTING ALUMINUM DOUBLE HUNG WINDOW (Double)
TYPE "B"



5 EXISTING ALUMINUM CASEMENT WINDOW
TYPE "E"

EXISTING WINDOW Elevation
TYPE "A", "B", "C", "D" and "E"
SCALE: 1/4" = 1'-0"

JOB LOCATION & DRAWING TITLE

MASTER PLAN

WINDOW Elevations

601 West End Avenue
New York, NY

PANORAMA WINDOWS LTD.
767 EAST 132nd STREET
BRONX, NY 10454

© panorama windows, Inc.

REVISIONS

1.	
2.	
3.	
4.	
5.	

DRAWING BY: GP

APPROVED: DL

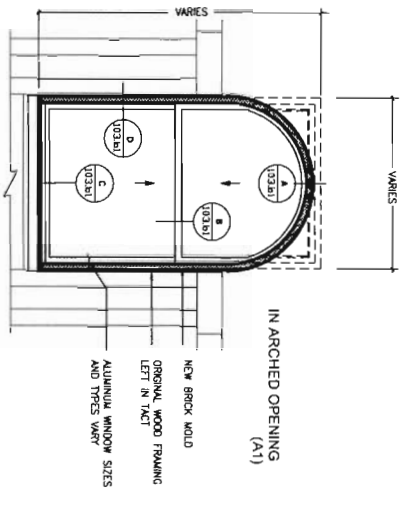
BY:

SCALE: per setting

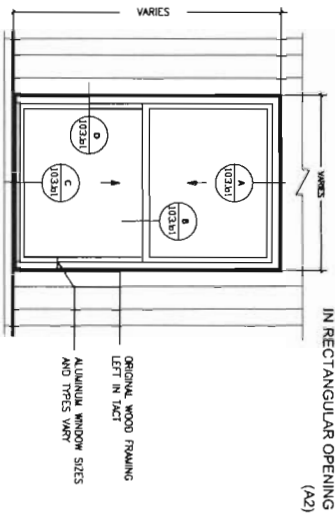
DATE: 10.08.07

SHEET NO

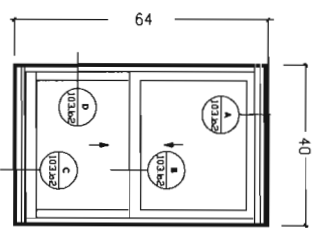
102.0



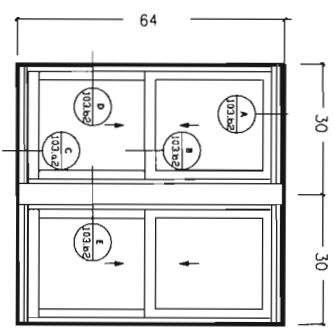
IN ARCHED OPENING (A1)



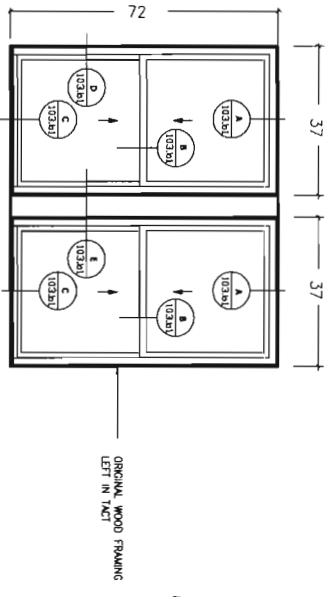
IN RECTANGULAR OPENING (A2)



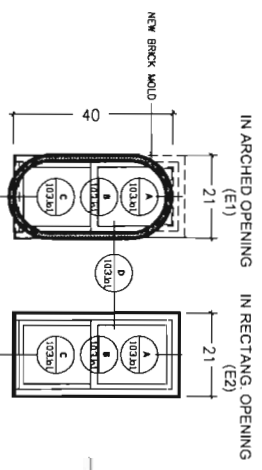
3 PROPOSED Fire Rated Double Hung WINDOW (Double) TYPE "C"



4 PROPOSED Fire Rated Double Hung WINDOW (Double) TYPE "D"



2 PROPOSED "Tempest" Aluminum Double Hung WINDOW (Double) TYPE "B"



5 PROPOSED "TEMPEST" ALUMINUM Double Hung WINDOW TYPE "E"

PROPOSED WINDOW Elevation
 TYPE "A", "B", "C", "D" and "E"
 SCALE: 1/4" = 1'-0"

JOB LOCATION & DRAWING TITLE:
MASTER PLAN
 WINDOW Elevations

601 West End Avenue
 New York, NY

PANORAMA WINDOWS LTD.
 767 EAST 132nd STREET
 BRONX, NY 10454

© panorama windows, ltd.

REVISIONS

1.	07.25.08
2.	
3.	
4.	
5.	

DRAWING BY: GP

APPROVED: DL

SCALE: As noted

DATE: 09.27.07

SHEET NO.

102.b

EXTERIOR
ORIGINAL WOOD
WINDOW FRAME

INTERIOR

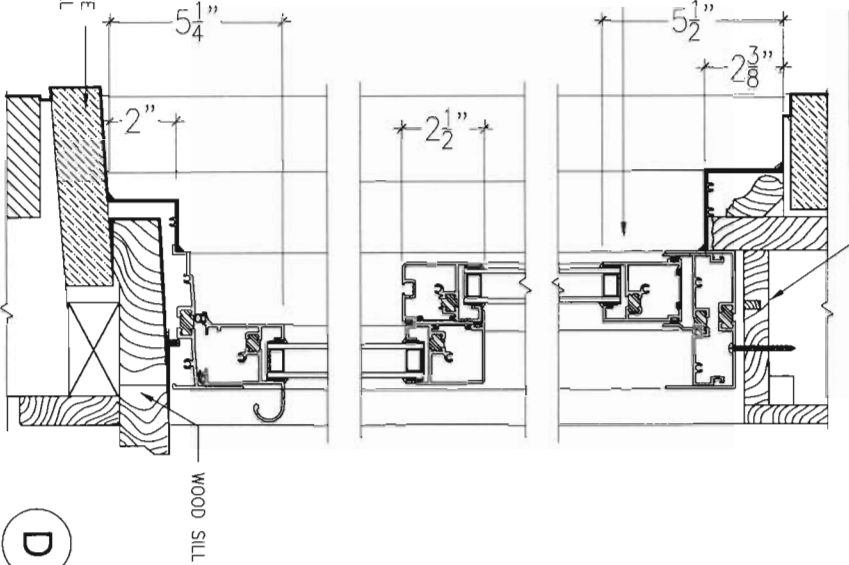
A
HEAD
EXISTING
DOUBLE HUNG
WINDOW

B
RAILS

C
SILL
CONCRETE
SILL

1
2

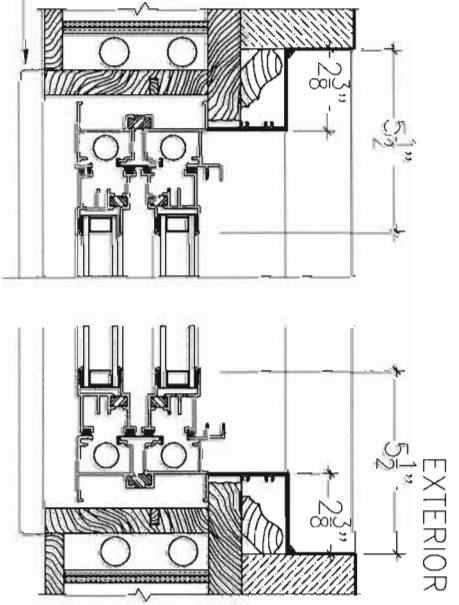
EXISTING ALUMINUM WINDOW
VERTICAL SECTION DETAIL: TYPE "A" and "B"



D
JAMB
EDGE OF
WOOD SILL

1

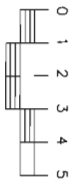
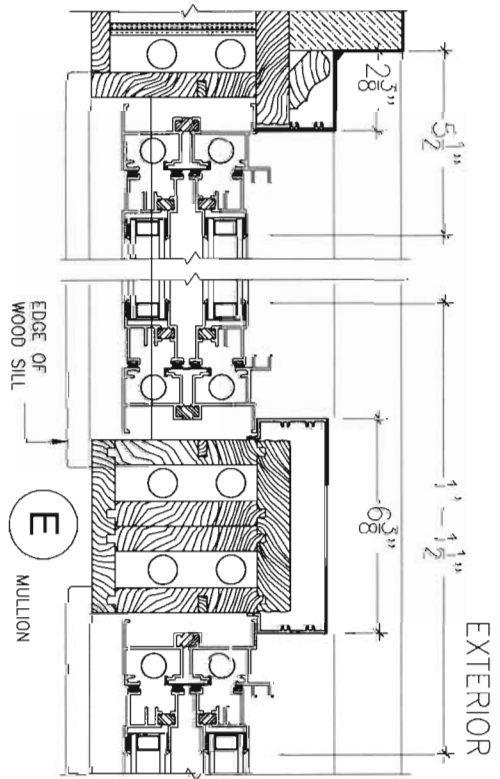
EXISTING ALUMINUM JAMB DETAIL
SINGLE WINDOW (TYPE "A")



D
JAMB

2

EXISTING ALUMINUM JAMB DETAIL
DOUBLE WINDOW (TYPE "B")



MASTER PLAN

WINDOW Section Details

601 West End Avenue
New York, NY



PANORAMA WINDOWS
LTD.

767 EAST 132nd STREET
BRONX, NY 10454

© panorama windows, ltd.

REVISIONS

1.	
2.	
3.	
4.	
5.	

DRAWING BY: GP

APPROVED:

DATE:

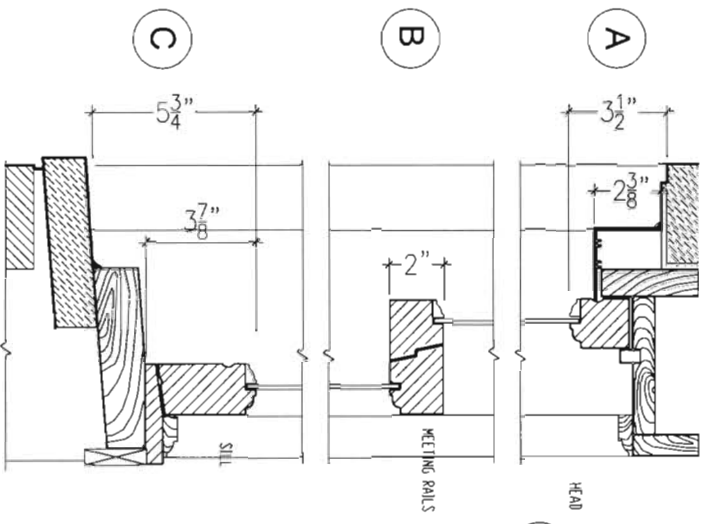
BY:

SCALE: As noted

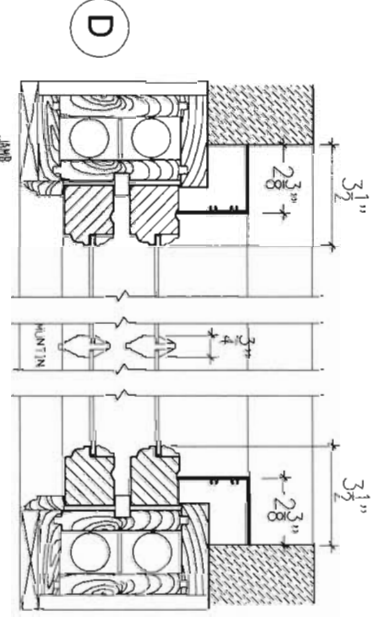
DATE: 09.27.07

SHEET NO.

103.01



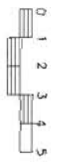
3 EXISTING Fire Rated steel clad D/H WINDOW
 4 VERTICAL SECTION DETAIL, TYPE "C" and "D"



3 EXISTING Fire Rated steel clad D/H WINDOW (JAMB DETAIL)
 SINGLE WINDOW (TYPE "C")

4 EXISTING Fire Rated steel clad D/H WINDOW (JAMB DETAIL)
 DOUBLE WINDOW (TYPE "D")

EXISTING SECTION DETAILS
 Wood Double Hung WINDOW



JOB LOCATION & DRAWING TITLE:
MASTER PLAN

WINDOW Section Details

601 West End Avenue
 New York, NY



PANORAMA WINDOWS LTD.

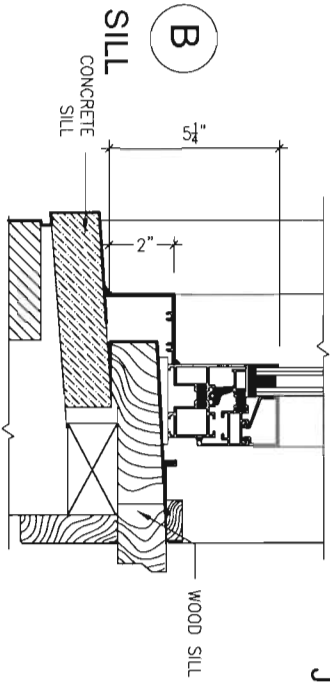
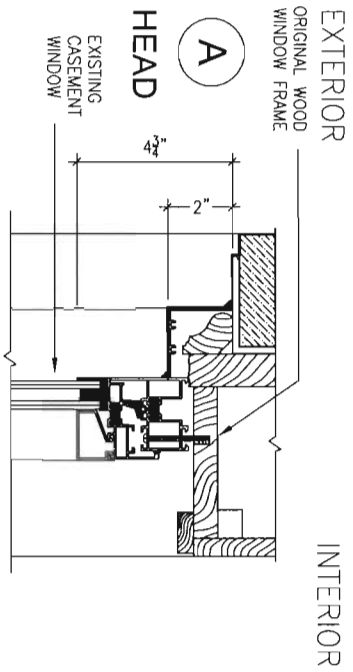
767 EAST 132nd STREET
 BRONX, NY 10454

© panorama windows, ltd.

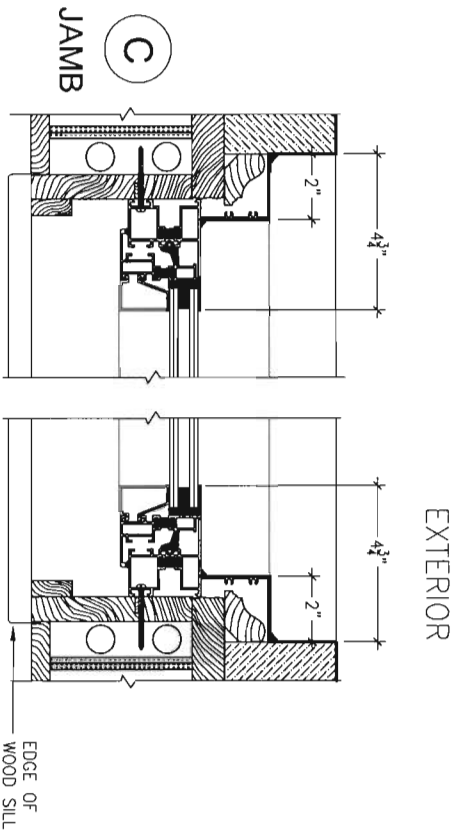
REVISIONS
1.
2.
3.
4.
5.

DRAWING BY: GP
APPROVED:
DI:
BY:
SCALE: As noted
DATE: 09.27.07
SHEET NO

103.02



EXISTING Aluminum SILL DETAIL



EXISTING Aluminum JAMB DETAIL

5 EXISTING SECTION DETAILS
TYPE "E" ALUMINUM CASEMENT WINDOW



JOB LOCATION & DRAWING TITLE:

MASTER PLAN

WINDOW Section Details

601 West End Avenue
New York, NY



PANORAMA WINDOWS
LTD.

767 EAST 132nd STREET
BRONX, NY 10454

© panorama windows, ltd.

REVISIONS

1.	
2.	
3.	
4.	
5.	

DRAWING BY: GP

APPROVED:

DL:

BY:

SCALE: As noted

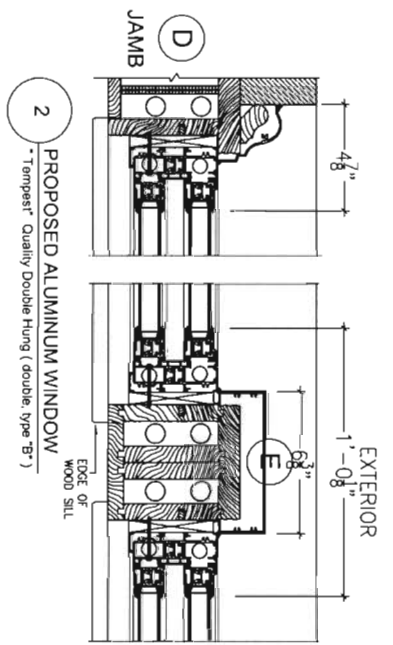
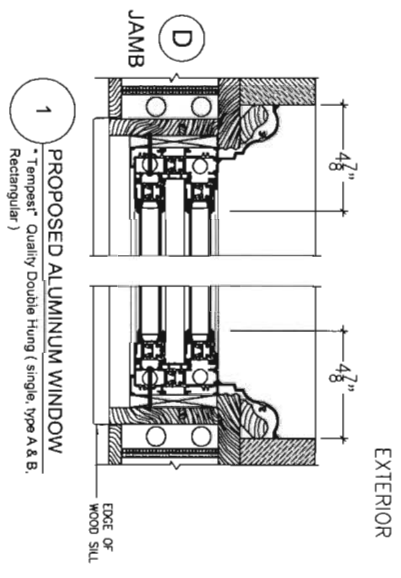
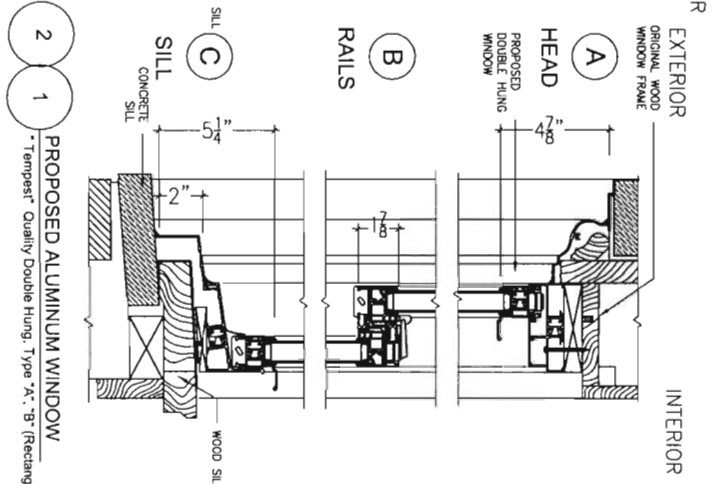
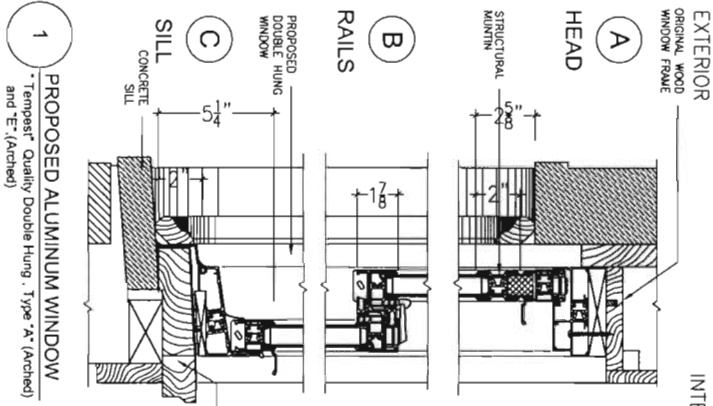
DATE: 10.08.07

SHEET NO.

103.03

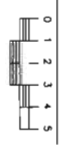
IN ARCHED OPENING
(A1)

IN RECTANG OPENING
(A2)



NOTE:
- NEW BRICK MOLD WILL INSTALLED (NO PANNING), ON WINDOWS IN
ARCHED OPENINGS "A1" & "E1".

PROPOSED SECTION DETAILS



PANORAMA WINDOWS
LTD.
767 EAST 132nd STREET
BRONX, NY 10454

© panorama windows, ltd.

JOB LOCATION & DRAWING TITLE:
MASTER PLAN
WINDOW Elevations

601 West End Avenue
New York, NY

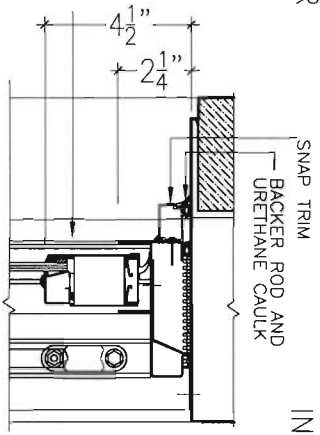
REVISIONS	
1.	10.08.07
2.	07.22.08
3.	07.25.08
4.	
5.	

DRAWING BY:	GP
APPROVED:	
DL:	
BY:	
SCALE:	As noted
DATE:	09.27.07
SHEET NO.	103.b1

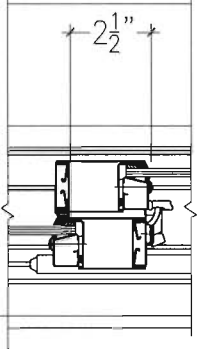
EXTERIOR

INTERIOR

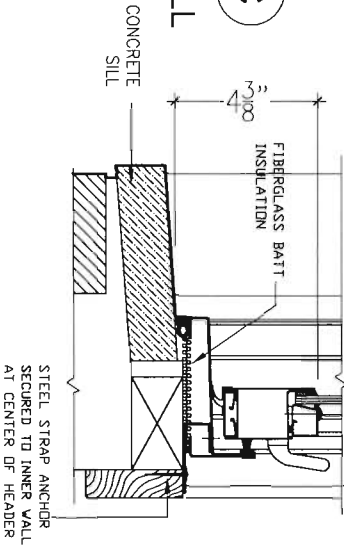
A
HEAD
EXISTING
FIRE RATED
WINDOW



B
RAILS



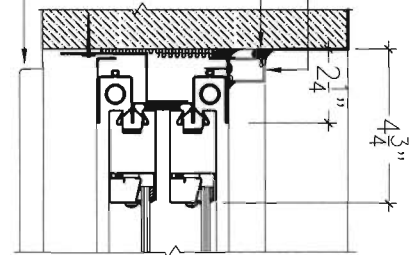
C
SILL



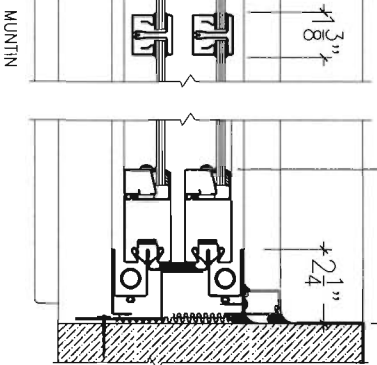
4
PROPOSED FIRE RATED WINDOW
VERTICAL SECTION DETAIL: TYPE "C" and "D"

EXTERIOR

D
JAMB
EDGE OF
WOOD SILL

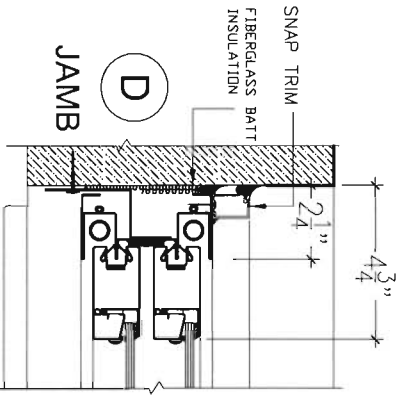


5
PROPOSED FIRE RATED JAMB DETAIL
SINGLE WINDOW (TYPE "C", Optimum Fire Rated)

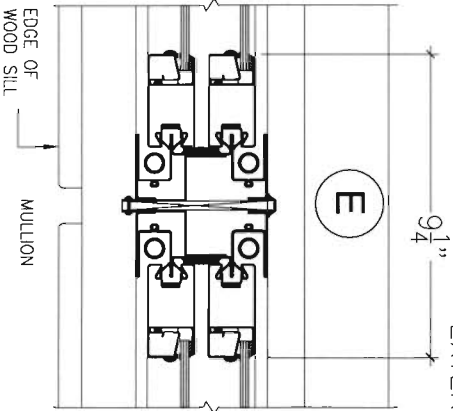


EXTERIOR

D
JAMB



6
PROPOSED FIRE RATED JAMB DETAIL
DOUBLE WINDOW (TYPE "D", Optimum Fire Rated)



PROPOSED SECTION DETAILS



JOB LOCATION & DRAWING TITLE:

MASTER PLAN

WINDOW Section Details

601 West End Avenue
New York, NY



PANORAMA WINDOWS
LTD.

767 EAST 132nd STREET
BRONX, NY 10454

© panorama windows, ltd.

REVISIONS

1.	
2.	
3.	
4.	
5.	

DRAWING BY: GP

APPROVED:

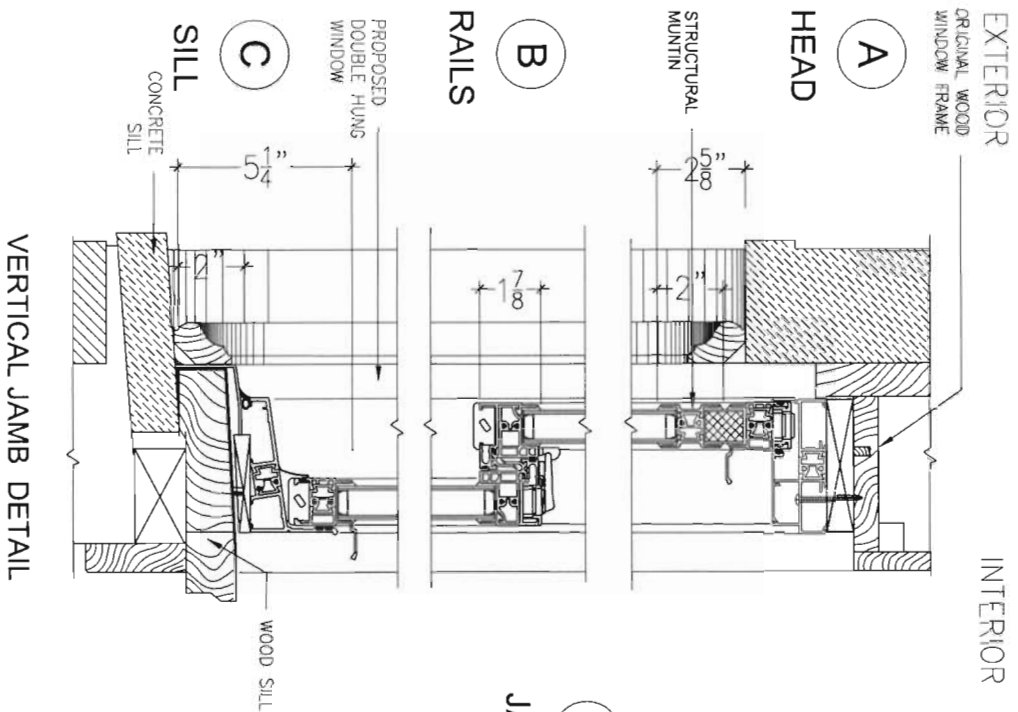
BY:

SCALE: As noted

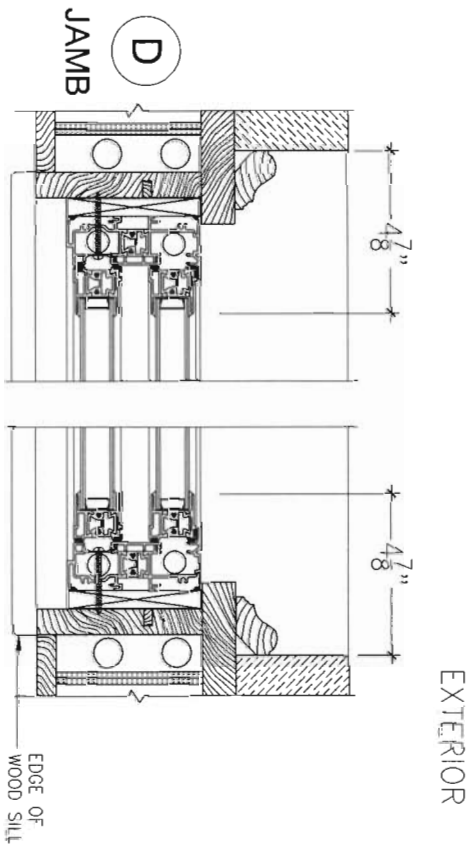
DATE: 09.27.07

SHEET NO.

103.b2

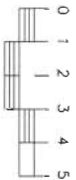


VERTICAL JAMB DETAIL



HORIZONTAL JAMB DETAIL

1 PROPOSED ALUMINUM WINDOW
 "Tempest" Quality Double Hung, Type "A" (Arched)
 and "E" (Arched)



JOB LOCATION & DRAWING TITLE:
MASTER PLAN
 WINDOW Section Details

601 West End Avenue
 New York, NY



PANORAMA WINDOWS LTD.
 767 EAST 132nd STREET
 BRONX, NY 10454

© panorama windows, ltd.

REVISIONS
1.
2.
3.
4.
5.

DRAWING BY: GP
 APPROVED: [Signature]
 DATE: 09.27.07
 SCALE: As noted

SHEET NO:
103.63